

device for INDOOR APPLICATIONS
PLEASE READ CAREFULLY and save this document CONSIDER THE ENVIRONMENT

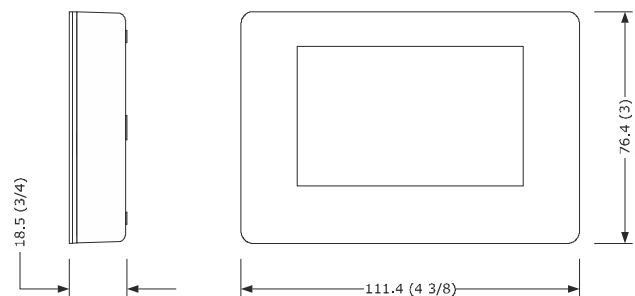
EN ENGLISH

- wall mounting with or without back-slot for in-wall box (according to the model)
- 12 VAC/DC power supply not insulated or 115... 230 VAC power supply (according to the model)
- one or two NTC external analog inputs (according to the model)
- two digital outputs rated 1 res. A @ 250 VAC (according to the model)
- alarm buzzer
- incorporated temperature and humidity sensor (according to the model)
- incorporated Bluetooth Low Energy sensor (according to the model)
- INTRABUS port
- **device for indoor applications.**

Purchasing codes	Installation mode	Power supply	External analog inputs	Digital outputs	Incorporated temperature and humidity sensor	Incorporated Bluetooth Low Energy sensor
EVJD900N2VW	wall mounted	12 VAC/DC	1	no	no	no
EVJD900N2VWIV			1	no	no	yes
EVJD920N2VW			1	no	yes	no
EVJD920N2VWIV			1	no	yes	yes
EVJD902N9VP	wall mounted with back-slot for flush mounting box	115... 230 VAC	2	2	no	no
EVJD902N9VPV			2	2	no	yes
EVJD922N9VP			2	2	yes	no
EVJD922N9VPV			2	2	yes	yes

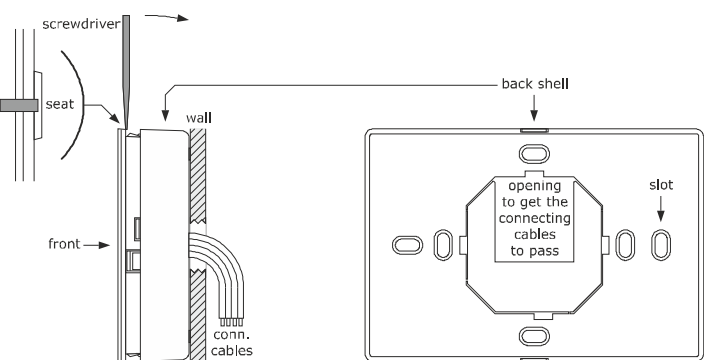
1 MEASUREMENTS AND INSTALLATION | Measurements in mm (in)

1.1 Models for wall mounting

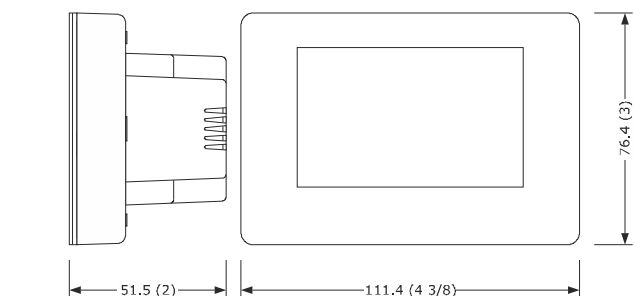


Wall mounting (with bolts and fastening screws) or in the most common flush mounting boxes (with fastening screws).

- Unhook the back shell from the front through a screwdriver and the proper seat.
- In case of wall mounting:
 - Lean the back shell against the wall in a position suitable to get the connecting cable to pass through the proper opening.
 - Use the slots of the back shell as template to drill 4 holes having a diameter suitable to the bolt. 5.0 mm (3/16 in) diameter bolts are suggested.
 - Insert the bolts in the holes drilled in the wall.
 - Fasten the back shell at the wall with 4 screws. Countersunk head screws are suggested.
- In case of flush mounting box, fasten the back shell at the box with 4 screws. Countersunk head screws are suggested.
- Make the electrical connection as shown in the section *ELECTRICAL CONNECTION* without powering up the device.
- Fasten the front of the device at the back shell.

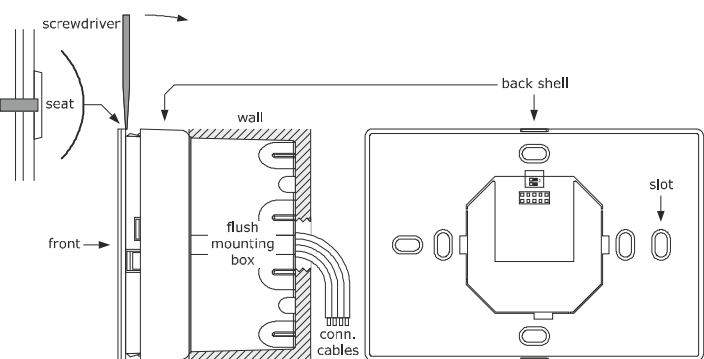


1.2 Models for wall mounting with back-slot for in-wall box



Wall mounting in the most common flush mounting boxes (with fastening screws).

- Unhook the back shell from the front through a screwdriver and the proper seat.
- Fasten the back shell at the box with 4 screws. Countersunk head screws are suggested.
- Make the electrical connection as shown in the section *ELECTRICAL CONNECTION* without powering up the device.
- Fasten the front of the device at the back shell.



INSTALLATION PRECAUTIONS

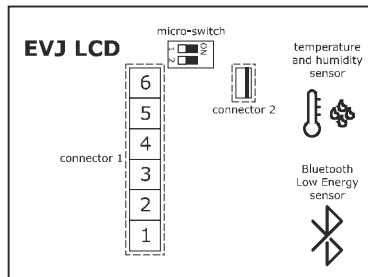
- Ensure that the working conditions are within the limits stated in the *TECHNICAL SPECIFICATIONS* section
- Do not install the device close to heat sources, equipment with a strong magnetic field, in places subject to direct sunlight, rain, damp, excessive dust, mechanical vibrations or shocks
- In compliance with safety regulations, the device must be installed properly to ensure adequate protection from contact with electrical parts. All protective parts must be fixed in such a way as to need the aid of a tool to remove them.

2 ELECTRICAL CONNECTION

N.B.
- Use cables of an adequate section for the current running through them
- To reduce any electromagnetic interference connect the power cables as far away as possible from the signal cables and connect to an INTRABUS network by using a twisted pair.

2.1 Models for wall mounting

2.1.1 Connectors and parts



Connector 1

No.	DESCRIPTION
1	INTRABUS port reference (GND)
2	INTRABUS port data (IB)
3	device power supply (12 VAC/DC). If the device is fed by DC power, connect terminal minus
4	device power supply (12 VAC/DC). If the device is fed by DC power, connect terminal plus
5	A14 analog input (NTC)
6	A14 analog input reference (GND)

Connector 2: reserved.

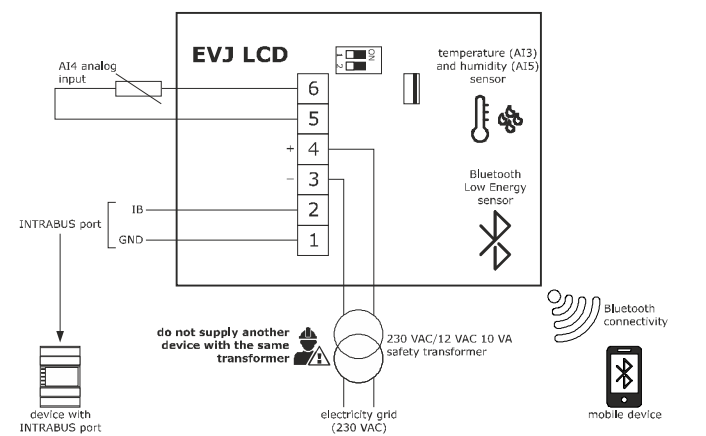
Micro-switch: reserved.

Temperature (A13) and humidity (A15) sensor: according to the model.

Bluetooth Low Energy sensor: according to the model.

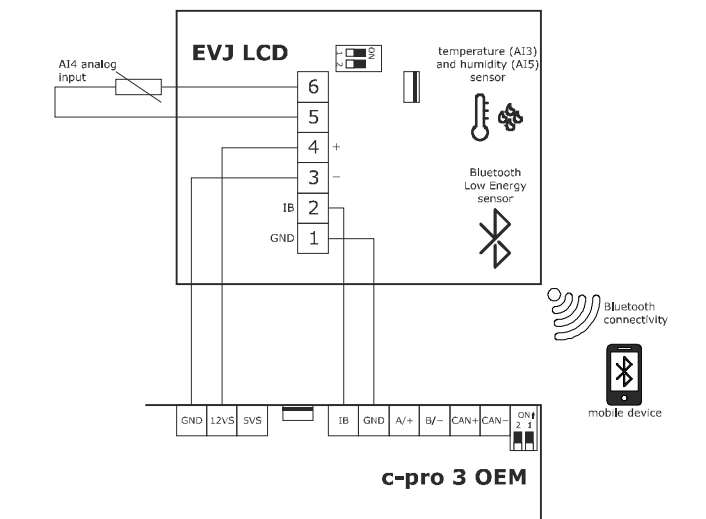
2.1.2 Electrical connection with independent power supply

N.B.
- Do not supply another device with the same transformer
- The maximum permitted length for connection cables of the INTRABUS port is 30 m (98.4 ft).



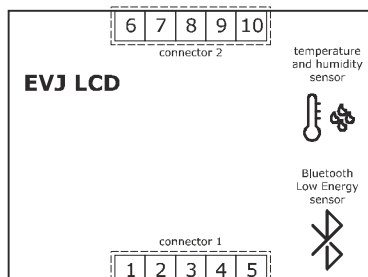
2.1.3 Electrical connection with device powered by a controller (for example c-pro 3 OEM)

N.B.
- Make sure that the current supplied by the controller is within the limits stated in the *TECHNICAL SPECIFICATIONS* section
- The maximum permitted length for connection cables of the INTRABUS port is 10 m (32.8 ft).



2.2 Models for wall mounting with back-slot for in-wall box

2.2.1 Connectors and parts



Connector 1

No.	DESCRIPTION
1	device power supply (115... 230 VAC)
2	device power supply (115... 230 VAC)
3	DO2 digital output normally open contact (1 A res. @ 250 VAC)
4	DO1 digital output normally open contact (1 A res. @ 250 VAC)
5	DO1 and DO2 digital outputs common contact (max. 2 A)

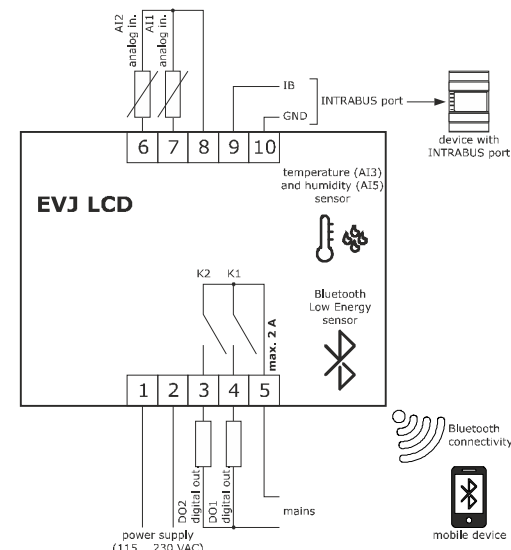
Connector 2

No.	DESCRIPTION
6	A12 analog input (NTC)
7	A11 analog input (NTC)
8	A11 and A12 analog inputs reference (GND)
9	INTRABUS port data (IB)
10	INTRABUS port reference (GND)

Temperature (A13) and humidity (A15) sensor: according to the model.

Bluetooth Low Energy sensor: according to the model.

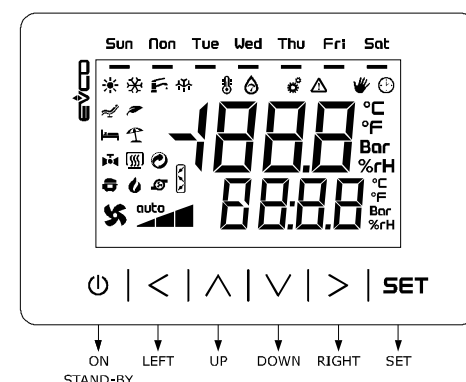
2.2.2 Electrical connection



PRECAUTIONS FOR ELECTRICAL CONNECTION

- If using an electrical or pneumatic screwdriver, adjust the tightening torque
- If the device has been moved from a cold to a warm place, the humidity may have caused condensation to form inside. Wait about an hour before switching on the power
- Make sure that the supply voltage, electrical frequency and power are within the set limits. See the section *TECHNICAL SPECIFICATIONS*
- Disconnect the power supply before doing any type of maintenance
- Do not use the device as safety device
- For repairs and for further information, contact the EVCO sales network; possible returns without back shell will not be accepted.

3 USER INTERFACE



3.1 Device configuration

N.B.
Turn off the power after changing the configuration.

Accessing the procedure.



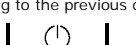
- Touch the SET key for 7 s.
The display will show:
Upper line: Mnu
Lower line: InF

Accessing the menu.

- Touch the UP or DOWN key to select a menu.
The display will show:
Upper line: Mnu
Lower line: menu name.
- Touch the SET key.
The display will show:
Upper line: the parameter
Lower line: the parameter value

Setting configuration parameters of menu "PAR".

- Touch the SET key.
The display will show:
Upper line: PSU
Lower line: 0000
- Touch the SET key again.
The display will show:
Upper line: PSU
Lower line: a value flashing
- Touch the UP or DOWN key to set "019".
- Touch the SET key.
The display will show:
Upper line: the parameter
Lower line: the parameter value
- Touch the UP or DOWN key to select a parameter.
- Touch the SET key.
The display will show:
Upper line: the parameter
Lower line: the parameter value flashing

9.  Touch the UP or DOWN key to set the value.
 10.  Touch the SET key.
- Returning to the previous displays.
11.  Touch the ON/STAND-BY key a few times.

4 CONFIGURATION PARAMETERS


N.	PAR.	DEF.	"InF" MENU (READ ONLY)	MIN... MAX.
1	Prn	-	project number	-
2	Pru	-	project version	-
3	Prr	-	project revision	-
4	FUu	-	firmware version	-
5	FUr	-	firmware revision	-
6	FUS	-	firmware subversion	-
7	HUu	-	hardware version	-
8	HUr	-	hardware revision	-
N.	PAR.	DEF.	"PAR" MENU	MIN... MAX.
9	bKU	15	backlight intensity	0... 100 fixed value 30 in the models with incorporated temperature and humidity sensor
10	bKt	30	backlight timeout	0... 255 s fixed value 30 in the models with incorporated temperature and humidity sensor
11	bKM	time	backlight mode	off = off on = on (not used in the models with incorporated temperature and humidity sensor) time = with bKt
12	EU3	OFF	enable compatibility with Vled 3	On... OFF
N.	PAR.	DEF.	"nEt > Itb" MENU (READ ONLY)	MIN... MAX.
13	nOd	4	INTRABUS node	1... 127 if EU3C = On, nOdE = 3
14	StA	-	INTRABUS status communication	OK... Err
15	nrH	-	number of received INTRABUS packages	0... 999
16	nrH	-	number of transmitted INTRABUS packages	0... 999
17	nEr	-	number of INTRABUS receipts in error	0... 999
18	bAu	-	INTRABUS baud rate	19200
19	Stb	1	INTRABUS bit stop number	0... 2
20	PtY	2	INTRABUS parity	0... 2
N.	PAR.	DEF.	"NET > BLE" MENU (READ ONLY; AVAILABLE IN THE MODELS WITH INCORPORATED TEMPERATURE AND HUMIDITY SENSOR)	MIN... MAX.
21	StA	-	enable Bluetooth	On... OFF
22	nrH	-	number of BLE packages received	0... 999
23	nrH	-	number of BLE transmitted received	0... 999
24	nEr	-	number of intercepted BLE errors	0... 999
25	bAu	-	BLE baud rate	19200
26	Stb	1	BLE bit stop number	0... 2
27	PtY	2	BLE parity	0... 2
N.	PAR.	DEF.	"dIA" MENU (READ ONLY)	MIN... MAX.
28	MEm	-	EEPROM memory status	OK... Err
29	PSU	-	power supply voltage status	OK... Err
N.	PAR.	DEF.	"dEb" MENU	MIN... MAX.
30	PSU	-	power supply voltage value	-
31	P1U	-	A11 analog input reading	-
32	P2U	-	A12 analog input reading	-
33	P3U	-	reserved	-
34	P4U	-	A14 analog input reading	-
35	tEm	-	incorporated sensor temperature reading (A13)	-
36	Hr	-	incorporated sensor humidity reading (A15)	-
N.	PAR.	DEF.	"dEb > unL" MENU	MIN... MAX.
37	dO1	-	DO1 digital output status	On... OFF
38	dO2	-	DO2 digital output status	On... OFF
N.	PAR.	DEF.	"CnF" MENU (READ ONLY)	MIN... MAX.
39	BLE	-	Bluetooth availability	On... OFF
40	iPb	-	incorporated sensor	t rH = temperature and humidity none = no sensor
41	EHT	-	back-slot for flush mounting box	On... OFF

5 TECHNICAL SPECIFICATIONS

Purpose of the control device:	Function controller.	
Construction of the control device:	Built-in electronic device.	
Container:	White, self-extinguishing.	
Category of heat and fire resistance:	D.	
Measurements:	Models for wall mounting	111.4 x 76.4 x 18.5 mm (4 3/8 x 3 x 3/4 in)
	Models for wall mounting with back-slot for flush mounting box	111.4 x 76.4 x 51.5 mm (4 3/8 x 3 x 2 in).
Mounting methods for the control device:	Wall mounting (with bolts and fastening screws) or in the most common flush mounting box (with fastening screws).	
Degree of protection provided by the covering:	IP30.	
Connection method:	Fixed screw terminal blocks for wires up to 1 mm ² .	
Maximum permitted length for connection cables:		
Power supply: 10 m (32.8 ft)	Analogue inputs: 10 m (32.8 ft)	
Digital outputs: 10 m (32.8 ft)	INTRABUS port: 10 m (32.8 ft) if the device is powered by a controller, 30 m (98.4 ft) otherwise.	
Operating temperature:	From 0 to 40 °C (from 32 to 104 °F).	
Storage temperature:	From -20 to 70 °C (from -4 to 158 °F).	
Operating humidity:	Relative humidity without condensate from 5 to 95%.	
Pollution status of the control device:	2.	
Compliance:		
RoHS 2011/65/EC	WEEE 2012/19/EU	
REACH (EC) Regulation no. 1907/2006	EMC 2014/30/UE	RED 2014/53/UE.
Power supply:	Models for wall mounting	12 VAC (±15%), 50/60 Hz (±3 Hz), max. 2 VA not insulated or 12 VDC (±15%), max. 1 W not insulated (independent power supply or by a controller).
	Models for wall mounting with back-slot for flush mounting box	115... 230 VAC (+10% -15%), 50/60 Hz (±3 Hz), max. 3 VA insulated.
Earthing methods for the control device:	None.	
Rated impulse-withstand voltage:	Models for wall mounting	330 V

	Models for wall mounting with back-slot for flush mounting box	2.5 KV.
Over-voltage category:	Models for wall mounting	I.
	Models for wall mounting with back-slot for flush mounting box	II.
Software class and structure:	A.	
Analogue inputs:	Models for wall mounting	1 for NTC probes
	Models for wall mounting with back-slot for flush mounting box	2 for NTC probes.
NTC probes:	Measurement field:	from -40 to 110 °C (from -58 to 230 °F)
	Resolution:	0.1 °C (1 °F).
Digital outputs:	Models for wall mounting	none
	Models for wall mounting with back-slot for flush mounting box	2 with electromechanical relay (K1 and K2 relay).
K1 relay:	SPST, 1 res. A @ 250 VAC	
K2 relay:	SPST, 1 res. A @ 250 VAC.	
Type 1 or Type 2 Actions:	Type 1.	
Additional features of Type 1 or Type 2 actions:	C.	
Displays:	Two rows and function icons LCD display.	
Alarm buzzer:	Built-in.	
Incorporated sensors:		
temperature and humidity (according to the model)	Bluetooth Low Energy (according to the model).	
Working range incorporated temperature and humidity sensor:		
0... 40 °C (32... 104 °F)	10... 70 % of relative humidity.	
Communications ports:	1 INTRABUS port.	

According to European R&TTE Declaration of Conformity this device can be used in the following Countries: Austria, Belgium, Cyprus, Czech Republic, Denmark, Estonia, Finland, France, Germany, Greece, Hungary, Ireland, Italy, Latvia, Lithuania, Luxembourg, Malta, Norway, Poland Portugal, Slovakia, Slovenia, Spain, Sweden, Switzerland, The Netherlands and The United Kingdom.

 N.B.
The device must be disposed of according to local regulations governing the collection of electrical and electronic waste.

This document and the solutions contained therein are the intellectual property of EVCO and thus protected by the Italian Intellectual Property Rights Code (CPI). EVCO imposes an absolute ban on the full or partial reproduction and disclosure of the content other than with the express approval of EVCO. The customer (manufacturer, installer or end-user) assumes all responsibility for the configuration of the device. EVCO accepts no liability for any possible errors in this document and reserves the right to make any changes, at any time without prejudice to the essential functional and safety features of the equipment.